

## ***Important safety instructions - WARNING***

- If the glass is damaged, the heating device cannot be used.
- In no case do cover the panel. The notice „DO NOT COVER" warns that any material, by which the panel is covered, can cause the fire. "
- Be careful to choose the right type of anchoring element (wall plug), particularly when dealing with plasterboard/gypsum fibreboard and porous concrete structures. If necessary, consult a specialised firm or manufacturer about anchoring - for example <http://www.fischer.co.uk/Home.aspx>
- This heater isn't fitted with a room temperature control device. Do not use this heater in small rooms if they are occupied by people who cannot leave the room by themselves unless permanent supervision is provided.
- This appliance can be used by children from the age of 8 and older, and persons with lower physical, sensory or mental abilities or a lack of experience or knowledge providing they are under supervision or have been trained in the use of the appliance in a safe manner and understand the possible danger. Children may not play with the appliance. Cleaning and maintenance by the user must not be carried out by children without supervision. Children under 3 years of age should be prevented from accessing the appliance, unless they are constantly supervised.
- Children from 3 to 8 years of age may switch the appliance on/off only if it is placed or installed in its intended standard operating position and if they are under supervision or have been instructed in the safe use of the appliance and if they understand the possible danger. Children from 3 to 8 years of age mustn't insert the plug into the socket, control or clean the appliance or carry out maintenance that is to be done by the user.

***WARNING – Some parts of this product may become very hot and cause burns. Special attention must be paid to this fact in the presence of children and handicapped persons.***

## Mounting instructions

Installation, electric connection and first commissioning can be performed by worker with adequate qualification. Panels are intended for installation on a wall. The manufacturer must be consulted before any other form of installation is attempted.

## Distances

Distance of the lower edge of the appliance from the floor must not be smaller than 50 mm, 150 mm recommended. Distance sidelong, e.g. to furniture, must be minimum 100 mm (see picture 2). In Bathrooms, the panel must be installed in conformity with IEC 364-7-701:1984 and may be located in compliance with the picture 1 in the zones 2 and 3. The panel is gadget of the class II and is protected against spraying water, protection IP 44. The panel must not be located directly under mains outlet. Electrical installation is to be equipped with double pole switch, by which the distance of open contacts is equal to min. 3 mm.

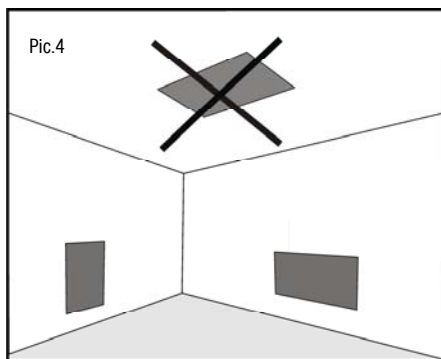
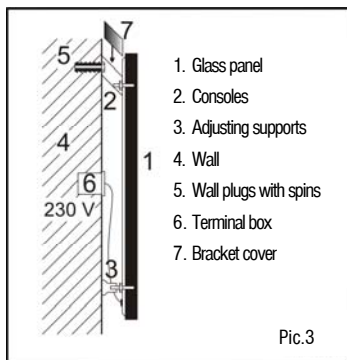
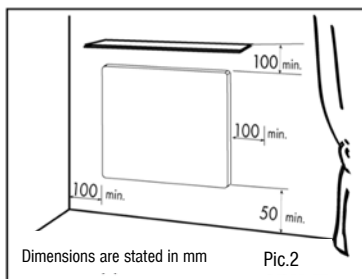
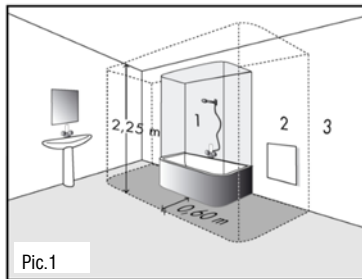
## Mounting

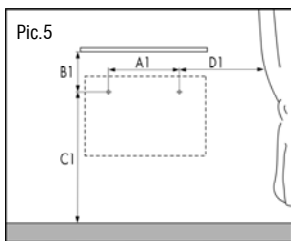
The panel is wrapped separately in a cardboard cover and for mounting on the wall serves mounting consoles. The panel can be installed on the wall lengthwise or widthwise; **mounting the panel on the ceiling is forbidden** (pic. 4). Drill the holes for the mounting brackets according to pic. 5 (lengthwise panel installation) or pic. 6 (widthwise installation). Dimensions A are hole spacing's and dimensions B, C and D are minimum dimensions of holes from surrounding objects.

Please, fix consoles on the wall by means of spins in wall plugs (they are not part of the products), these are to be chosen with regard to kind of wall material and higher weight of the panel (for drywall thickness. min. 12.5 mm for example MOLLY / Rigips, Hartmut / Kanuf).

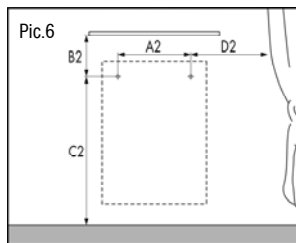
Please, hang the panel on the consoles always on upper two screws (according to the hang) and tighten fast by means of prepared nuts with washers. Mounting nuts are screwed on two screws of the panel, prepared to hang them horizontally.

Besides mounting consoles, also adjusting supports are added to the panel, by which after screwing on the lower screws of the panel, the distance of the panel from the wall is defined and the mounting bracket cover (pic. 3). On the picture 3, the side view on the panel after hang on the wall is displayed.





W	A1 (mm)	B1 (mm)	C1 (mm)	D1 (mm)
300	460	220	465	220
500	660	220	565	220
700	800	220	565	250
900	800	220	765	300



W	A2 (mm)	B2 (mm)	C2 (mm)	D2 (mm)
300	260	220	665	220
500	360	220	865	220
700	360	250	1035	220
900	560	300	1085	220

## Electrical installation

The panel is equipped with two core cables for 1/N 230 V / 50 Hz. The cable can be fitted with a plug (export markets), removal of the plug and shortening of the supply lead will not result in loss of warranty.

Coloured marking of conductors:

Phase - brown,

Neutral (work) conductor - blue.

Feeder cable is connected to the box on the wall, see picture 3. If the supply cord of the appliance is harmed, it must be replaced by producer or its service engineer or by similar qualified person to prevent creation of a danger situation.

## Panel control

We recommend ensuring the panel control by means of extern space thermostat with switch.

The space thermostat preserves a set temperature of the air in the room.

The panel is also equipped with brake thermostat, which ensures that maximum temperature does not exceed 90 °C.

## Panel dismantling

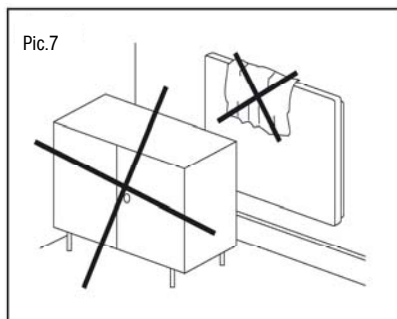
Before loosening of mounting consoles, we disconnect the panel from the mains by means of double pole switch. With use of tools, please, loosen mounting screws and lift the panel vertically upwards in such a way to loosen consoles out of screws. Next, it is necessary to disconnect the feeder cable from the box on the wall.

## Notice

Any intervention in the panel can be performed only by a qualified person. Before beginning such a work, the panel must be disconnected from the current source. Because it is a fragile material, it is necessary to take care during transfer, handling and mounting.

## Important safety instructions - WARNING

In no case do cover the panel. The notice „DO NOT COVER" warns that any material, by which the panel is covered, can cause the fire. It is not allowed to place any furniture or to hang curtains before panel (see picture 7) and free air circulation must be ensured. Regularly, at least before beginning of heating period, you should remove dust from the panel. Do not touch the panel from the bath or shower!



## Instructions for cleaning the panel:

Always clean the whole surface of the glass - never clean just small parts of it. Cleaning must be performed while the glass is wet! It is recommended that the following glass cleaning agents which contain alcohol be used:

Clin – window cleaner spray (with alcohol), manufactured by Henkel

Vitro – an industrial window and mirror cleaner (2-butoxyethanol) made by Amstutz produkte AG

**All products containing hydrofluoric acids or fluoride derivatives are prohibited as they may damage the coating and surface of the glass.**

**Highly acidic or alkaline products are prohibited, and so are abrasive products.**

After the application of cleaning agent, use a soft, clean, non-fraying cotton cloth. Do not apply any great pressure when carrying out the cleaning itself, as this could cause scratches or smudges to appear on the surface of the glass. Wipe the glass in this way until the cleaning agent dries up evenly. The more even the wet surface is, the lower the risk of smudging. Never use great pressure to wipe the glass dry! If smudges appear on the glass anyway, please repeat the procedure.

The glass panel must be protected against aggressive substances such as lime, soda, cement, etc., and must not come into contact with any kind of paint or varnish.

## Technical data

TYP	Dimensions (mm) (LxWxD)	Weight (kg)	Power (W)	Current (A)	Voltage (V) AC	Protection class	Protection
GR 300	700x500x12	14	300	1,3	230 V	II	IP 44
GR 500	900x600x12	21	500	2,2			
GR 700	1100x600x12	26	700	3			
GR 900	1200x800x12	38	900	3,9			

- The panel may be mounted on the grounds of the flammability class C, D.
- Panel depth inclusive a holder is 70mm

## ***Conditions of guarantee***

The supplier provides for the products 24-month-guarantee since sale-by date. The guarantee does not refer to defects caused by transport, careless handling and unauthorized mounting. The guarantee does not also refer to unauthorized intervention in panel and to ordinary wear and tear of the product.

***Certificate of sale:***.....

***Sell-by date:***.....***Serial number:***.....

***Seller:***.....