

## **Ecosun CH**

### **Radiant Panels for Church Pews**

#### **1. Use**

Ecosun CH radiant panels are intended for installation under firmly fixed church pews. The panels are installed under seats, see the installation drawing, and heat the space where they are installed using a radiant and convective component (zone heating). The thermal comfort of visitors is achieved in this manner with minimal operating costs.

#### **2. Installation**

The Ecosun CH panels should be installed horizontally with supplied mounting brackets and cover grille. The panels are intended for permanent installation. The pew can be completely closed from two sides only. For minimum distances see page 6.

#### **3. Technical data**

Type	Input [W]	Voltage [V]	Protection class	IP	Dimensions [mm]
Ecosun CH 02	260	230 V 1N	I	IP 44	730x155x115*
Ecosun CH 04	400				1096x155x115*
Ecosun CH 06	600				1596x155x115*

\* dimensions including protective grille and bracket

#### **4. Electrical wiring**

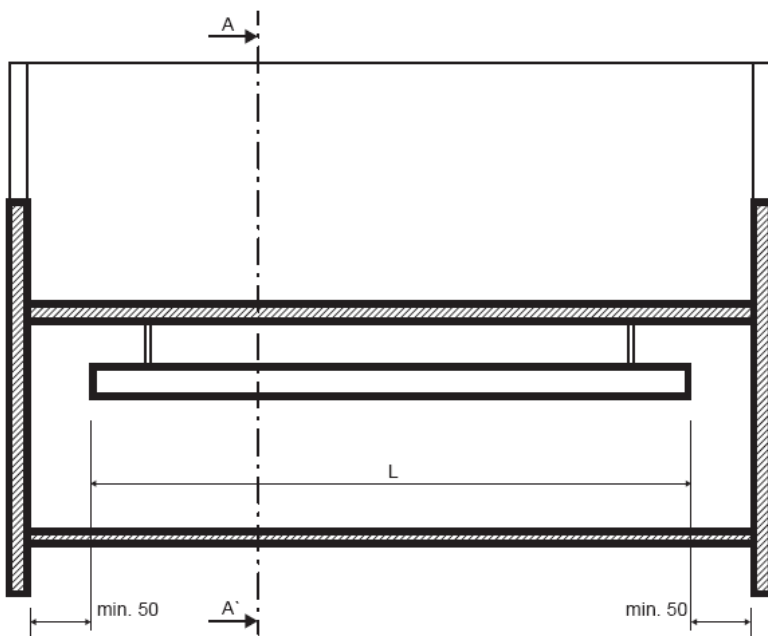
Installation, electrical wiring and commissioning should be carried out by staff with the appropriate qualifications. Electrical wiring must comply with the standards applicable in the country of installation.

A tripping device with a gap of 3 mm or more between contacts should be installed in the electric distribution system. The panel should not be installed directly under an electrical socket.

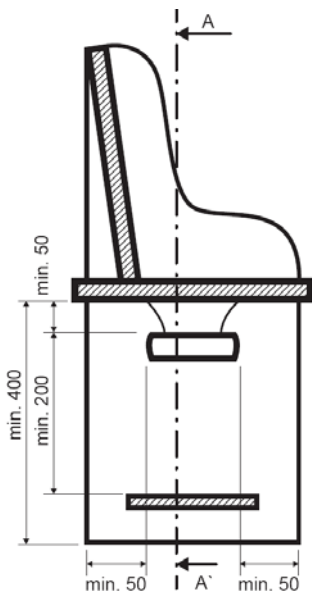
#### **5. Maintenance**

Maintenance is limited to dusting or wiping with a damp cloth and a detergent. Radiant surface should not be cleaned.

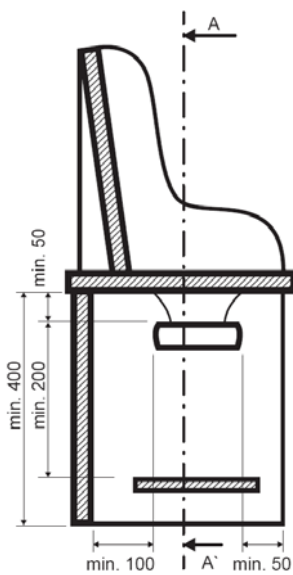
## Installation - minimum distances



Open pew



Pew with a full back



## 6. **Warning**

The panel material is burnt after the first heating, which can cause health inoffensive odour (smoke) for up to 60 minutes. Do not touch the heating segments to prevent contamination of the radiant surface (or touch them only in clean textile gloves). The radiant panel ambient temperature (surrounding air temperature) should not exceed 30°C.

This appliance can be used by children from 8 years of age and persons with reduced physical, sensory or mental capabilities or lack of experience and knowledge only if they are supervised or have been instructed of how to use the appliance in a safe way and understand potential dangers.

Children should not play with the appliance. Cleaning and maintenance should not be performed by unsupervised children. Children under 3 years of age should be denied access to the appliance, unless they are constantly under supervision.

Children aged 3 to 8 years may switch on/off this appliance only if it has been placed or installed in its intended normal operating position and if they are supervised or have been instructed of how to use the appliance in a safe way and understand potential dangers. Children aged 3 to 8 years are not allowed to insert the plug into the socket, regulate and clean the appliance or perform maintenance to be performed by user.

### ***Important safety instructions – CAUTION***

***Do not cover the panel in any case. The inscription "DO NOT COVER" indicates that any material covering the panel may cause a fire!***

***Some parts of this product may become very hot and cause burns. Special attention should be paid to the presence of children and handicapped people.***

## 7. **Guarantee conditions**

24 months since the date of sale. The guarantee does not cover damage caused by transport, improper storage and unprofessional installation. For the current and complete guarantee conditions see: [www.fenixgroup.eu](http://www.fenixgroup.eu)

Date of sale: .....

Serial number: .....

Seller: